



Model Number

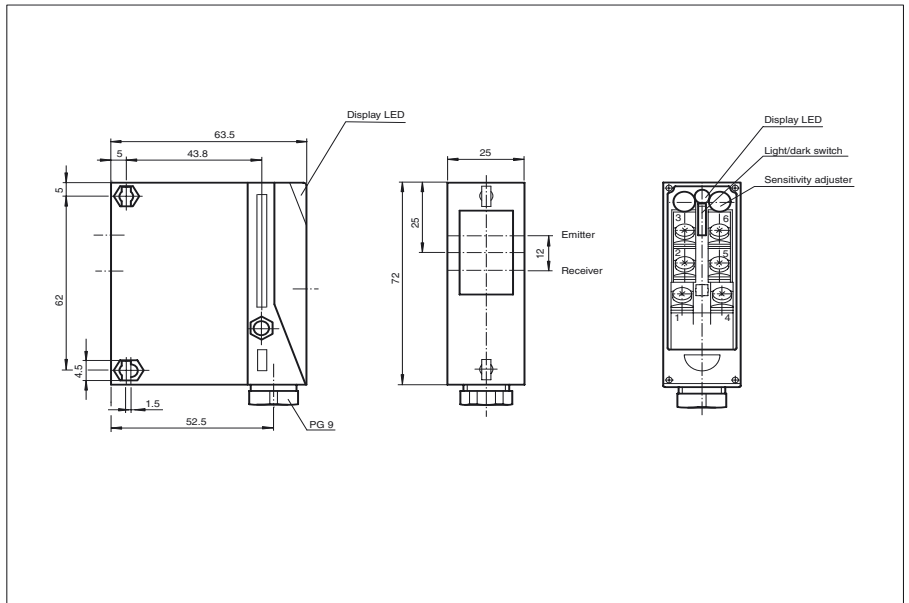
RLK25 MIT REFLEKTOR VR10

Retro-reflective sensor with polarization filter
with terminal compartment

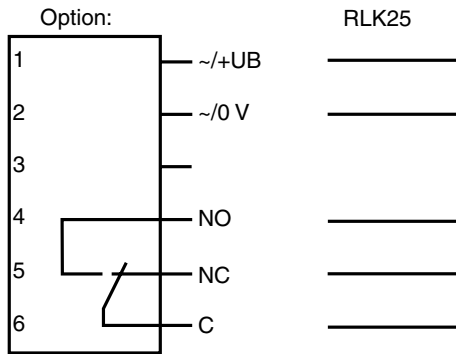
Features

- Compact design
- Sensitivity adjuster and light-/dark switch
- Pre-fault indication and output
- Supplied with reflector and mounting accessory

Dimensions



Electrical connection



○ = Light on
● = Dark on

Release date: 2009-08-05 16:36 Date of issue: 2009-09-28 418998_ENG.xml

Technical data

General specifications

Effective detection range	0 ... 4000 mm
Reflector distance	0 ... 4000 mm
Threshold detection range	8 m (with C110-2 reflector)
Light source	LED
Approvals	CE, cULus
Reference target	VR10 reflector
Light type	red, modulated light
Diameter of the light spot	approx. 100 mm at a distance of 4000 mm
Angle of divergence	approx. 2 °
Ambient light limit	80000 Lux
Accessories provided	VR10 reflector , Mounting bracket

Functional safety related parameters

MTTF _d	740 a
Mission Time (T _M)	20 a
Diagnostic Coverage (DC)	0 %

Indicators/operating means

Function display	LED green, lights up when light beam is free/flashes when falling short of the stability control
Operating elements	sensitivity adjuster
Operating elements	Light/dark switch

Electrical specifications

Operating voltage	U _B	12 ... 240 V AC/DC
Power consumption	P ₀	3 VA

Output

Switching type	Light/dark ON, switchable	
Signal output	1 relay, 1 alternator	
Switching voltage	max. 240 V AC	
Switching current	max. 2 A	
Switching frequency	f	25 Hz
Response time	2 ms	

Standard conformity

Standards	EN 60947-5-2
-----------	--------------

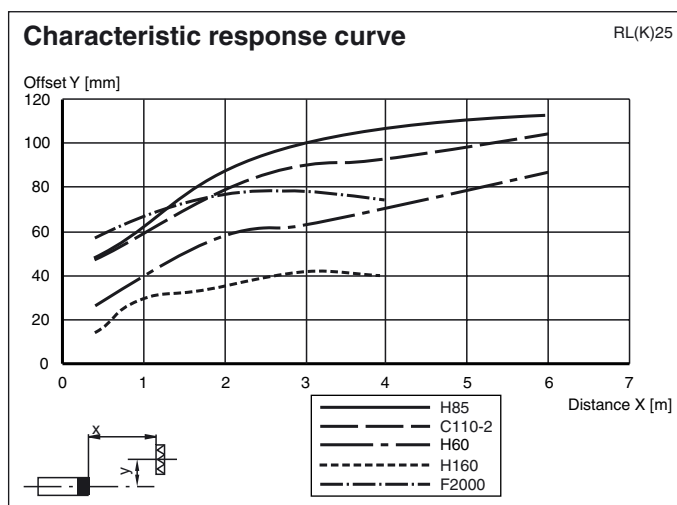
Ambient conditions

Ambient temperature	-20 ... 60 °C (253 ... 333 K)
Storage temperature	-20 ... 75 °C (253 ... 348 K)

Mechanical specifications

Protection degree	IP65
Connection	terminal compartment
Material	
Housing	Terluran GV15
Optical face	glass
Mass	sensor: 100 g

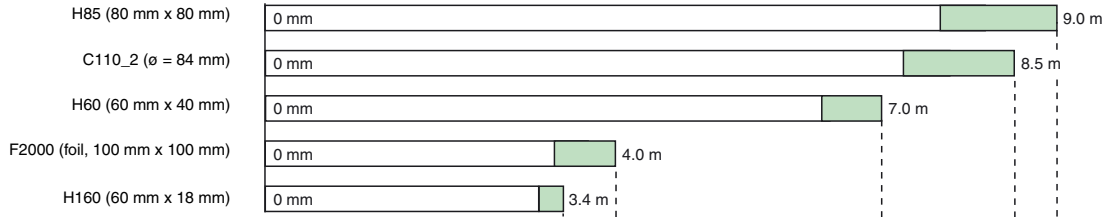
Curves/Diagrams



RL(K)25

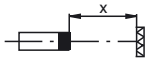
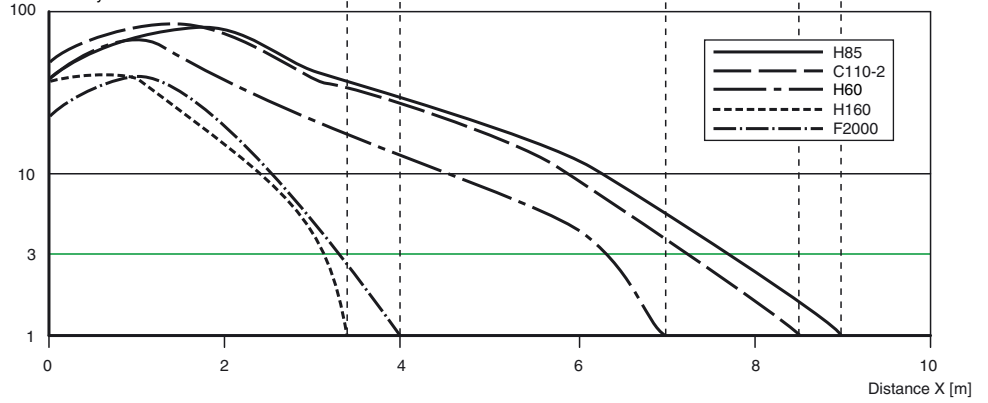
Relative received light strength

Reflector type:



Stability control > 3
 Stability control < 3

Stability control



Release date: 2009-08-05 16:36 Date of issue: 2009-09-28 418998_ENG.xml